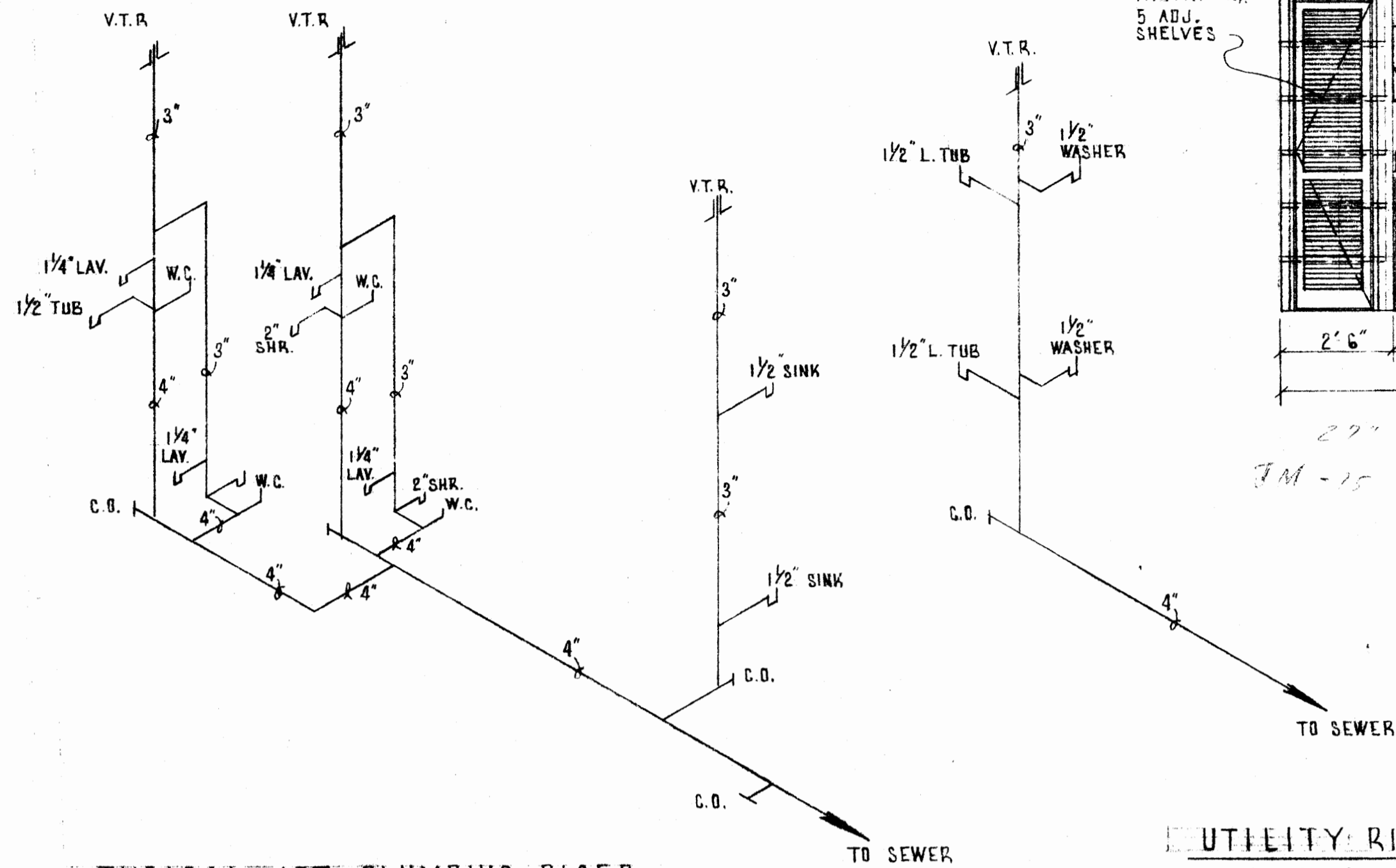


NOTE: PROVIDE DRAIN FOR ALL AIR HANDLERS COMPRESSORS ON ROOF 2 TON (24,000 B.T.U) COOLING CAPACITY

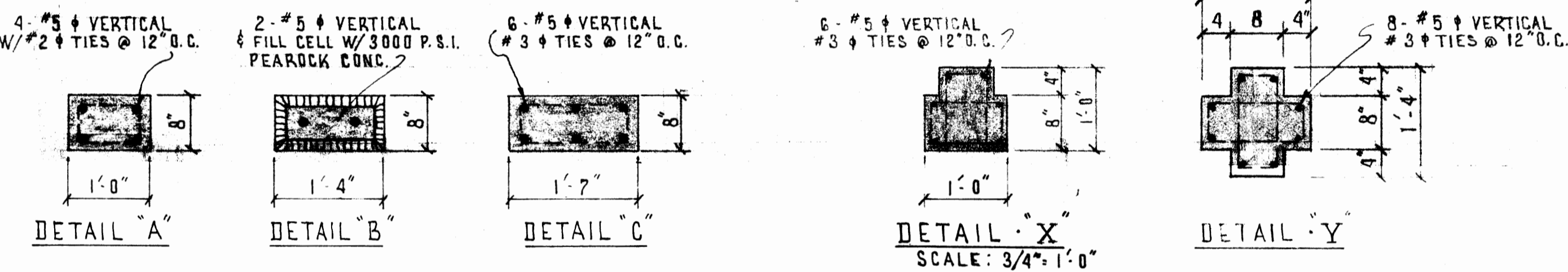
TYPICAL AIR CONDITION LAYOUT SCALE: 1/8" = 1'-0"

TYPICAL COLUMN NOTE:  
 8" x 16" CELL CONC. BLK. COL'S.  
 W/ 2 # 5 # CONC. FROM FOOTING  
 INTO CONC. BEAM.  
 LAP STEEL 30" @ FOOTING & CONC. BEAM  
 FILL CELL WITH 3000 P.S.I. PEARCK CONC.



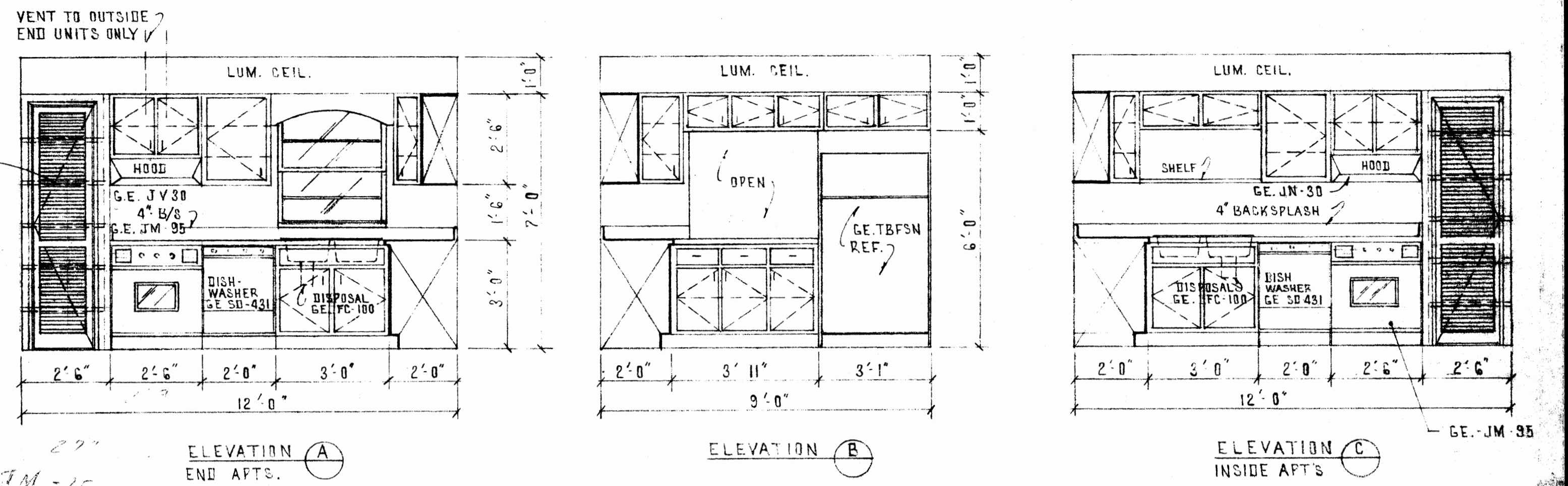
TYPICAL APT. PLUMBING RISER N.T.S.

UTILITY RISER N.T.S.

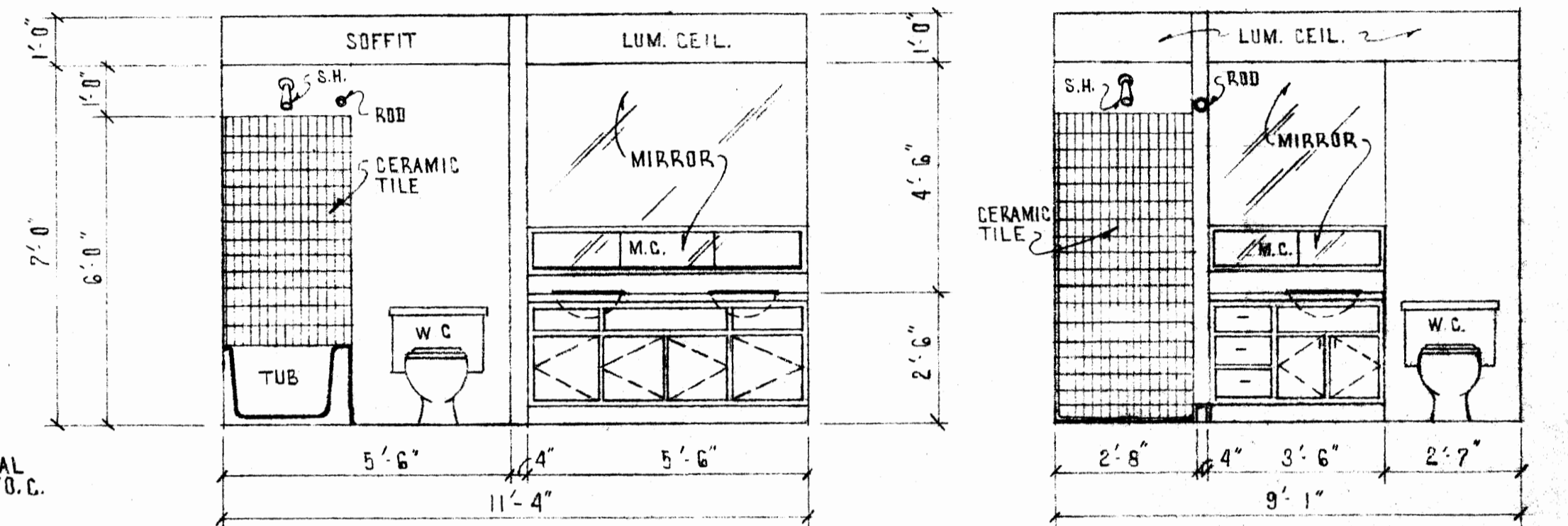


DETAIL X SCALE: 3/4" = 1'-0"

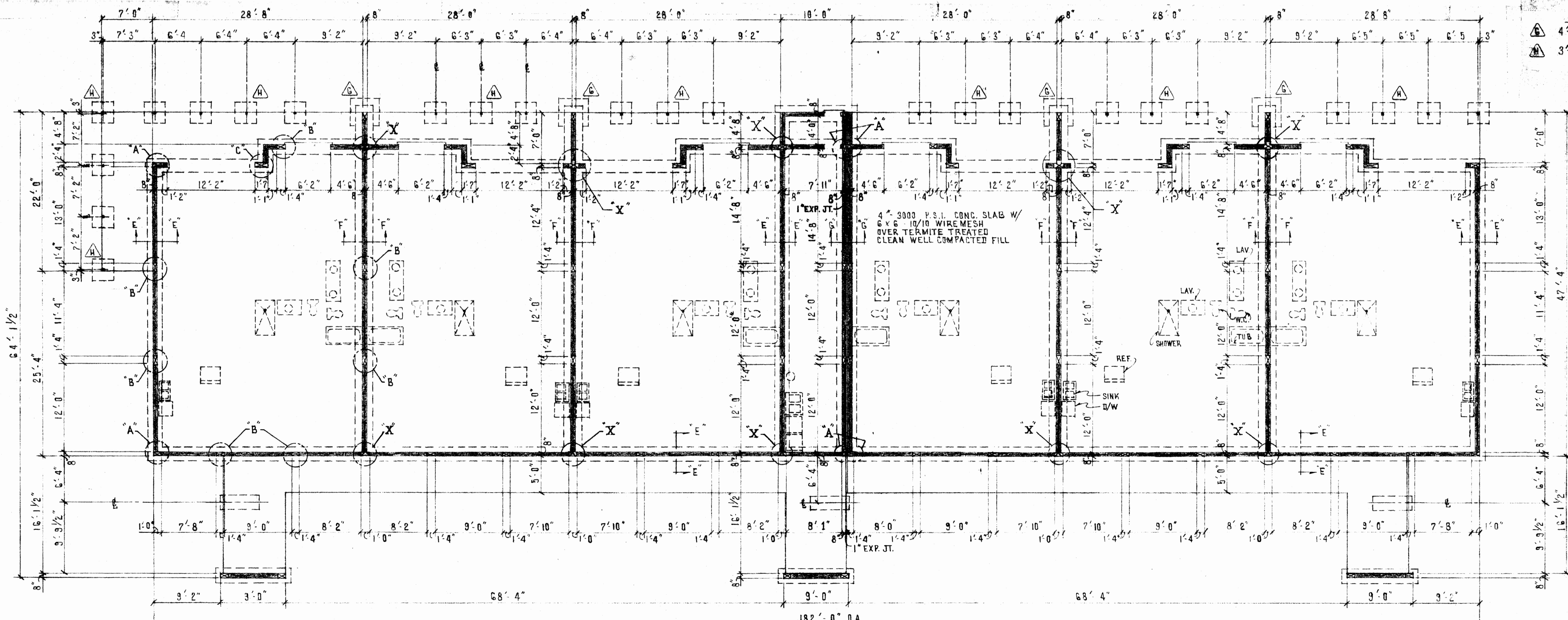
DETAIL Y



KITCHEN ELEVATIONS SCALE: 3/8" = 1'-0"



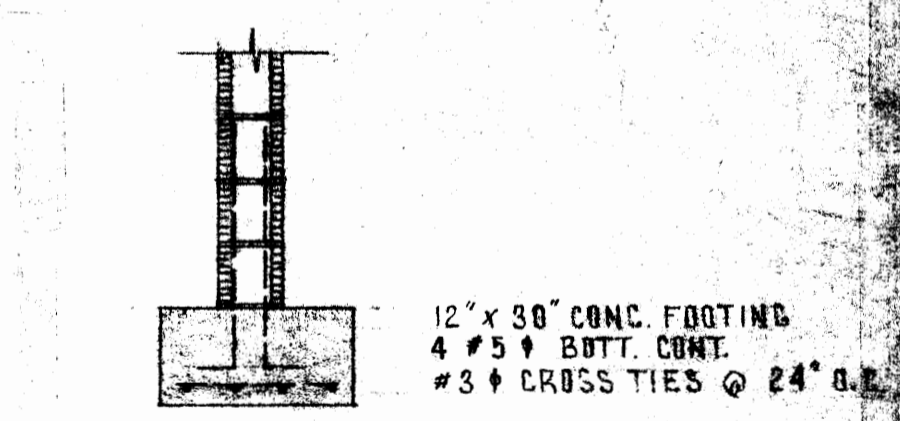
BATHROOM ELEVATIONS SCALE: 3/8" = 1'-0"



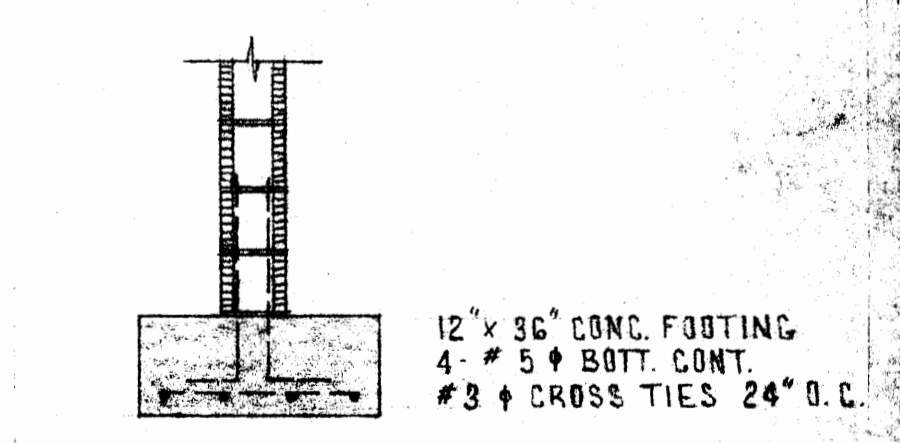
FOUNDATION PLAN SCALE: 1/8" = 1'-0"

PAD SCHEDULE

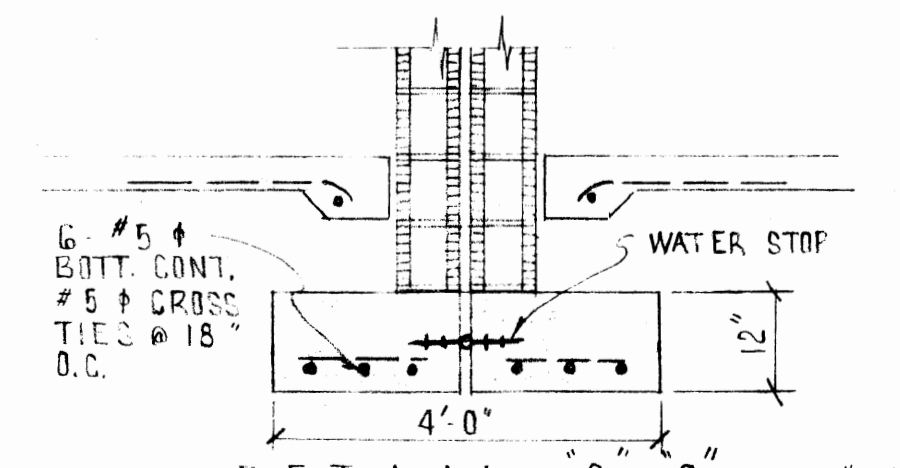
- 4'-0" x 4'-0" x 12" CONC. PAD / 5 # 5 # BOTTOM EA. WAY
- 3'-0" x 3'-0" x 12" CONC. PAD / 3 # 5 # BOTTOM EA. WAY



DETAIL E-E SCALE: 1/2" = 1'-0"



DETAIL F-F SCALE: 1/2" = 1'-0"



DETAIL G-G 1/2" = 1'-0"

revisions

1	DEC. 15, 72	CHG. COL'S
		WAS 1'-0" PROPPED
		& ADDED 1" EXP. JT.

designed by  
 scale  
 AS NOTED  
 date  
 10-15-72  
 4 of 7  
 drawing number  
 212114